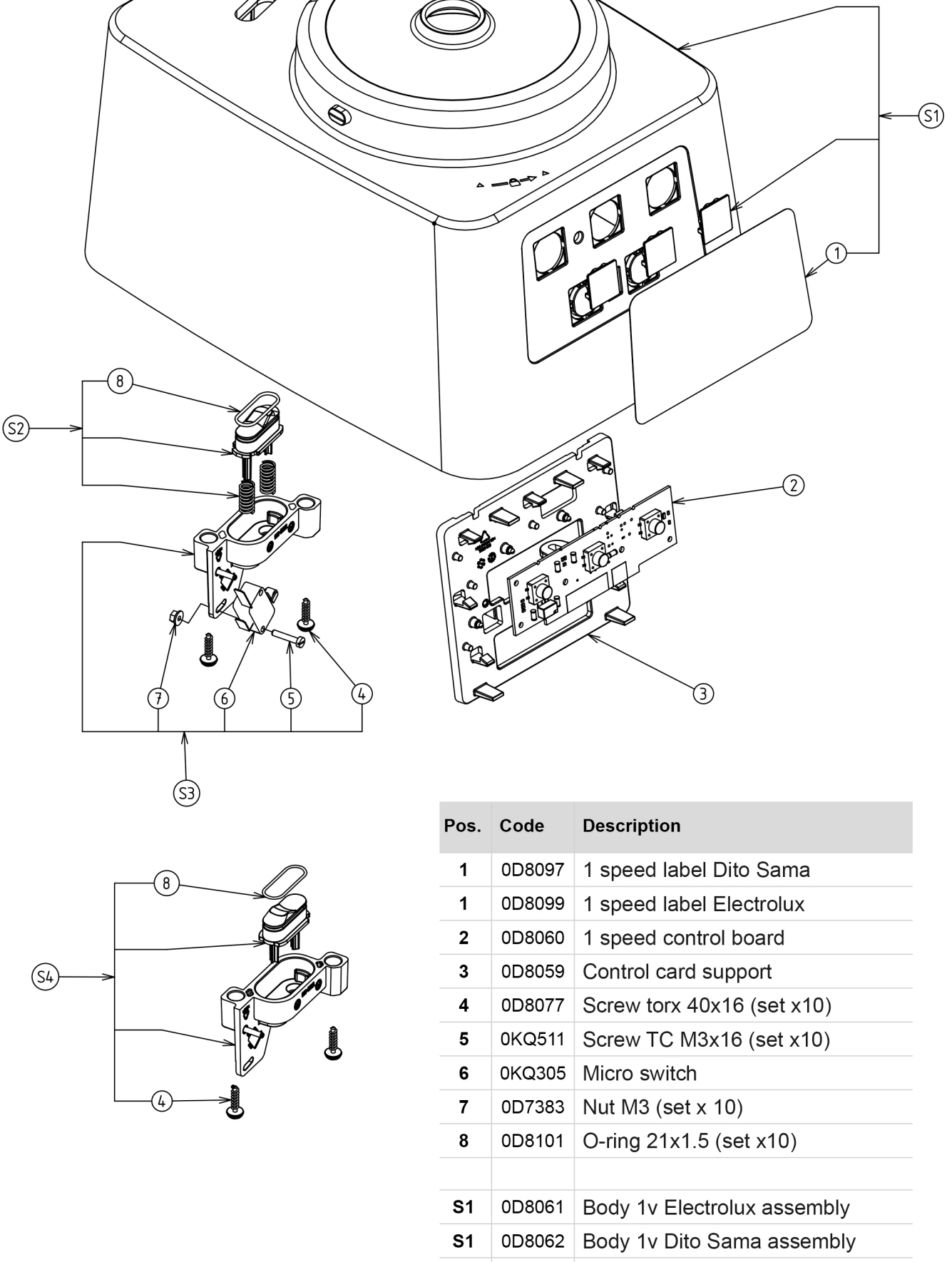
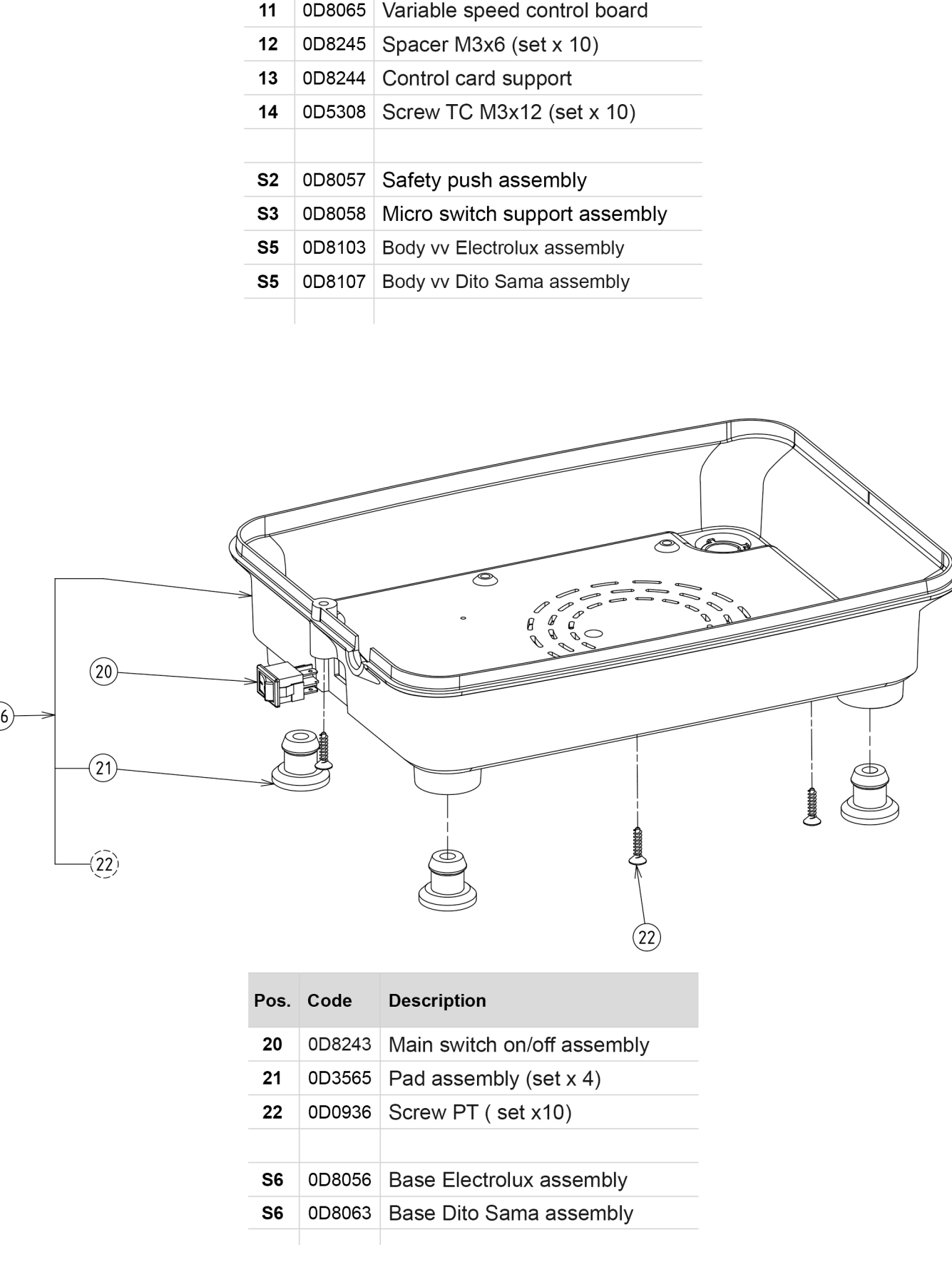


Pièces détachées coupe-légumes Prep4you Dito Sama 600971 / 600972



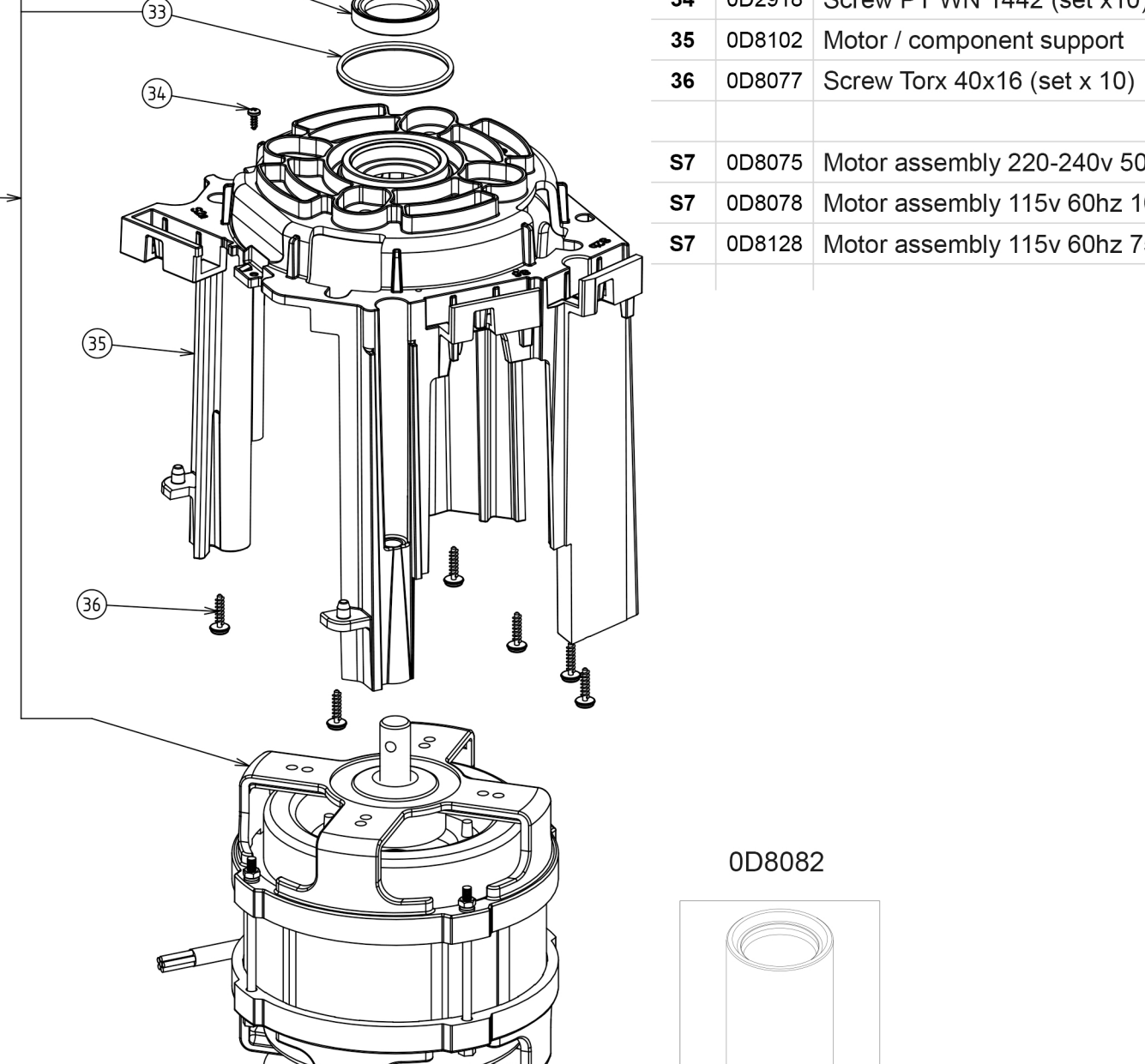
Pos.	Code	Description
1	0D8097	1 speed label Dito Sama
1	0D8099	1 speed label Electrolux
2	0D8060	1 speed control board
3	0D8059	Control card support
4	0D8077	Screw torx 40x16 (set x10)
5	0KQ511	Screw TC M3x16 (set x10)
6	0KQ305	Micro switch
7	0D7383	Nut M3 (set x 10)
8	0D8101	O-ring 21x1.5 (set x10)

S1	0D8061	Body 1v Electrolux assembly
S1	0D8062	Body 1v Dito Sama assembly
S1	0D8246	Body 1v Elux Ral 7016 assembly
S2	0D8057	Safety push assembly
S3	0D8058	Micro switch support assembly
S4	0D8064	Safety push ass.without microswitch



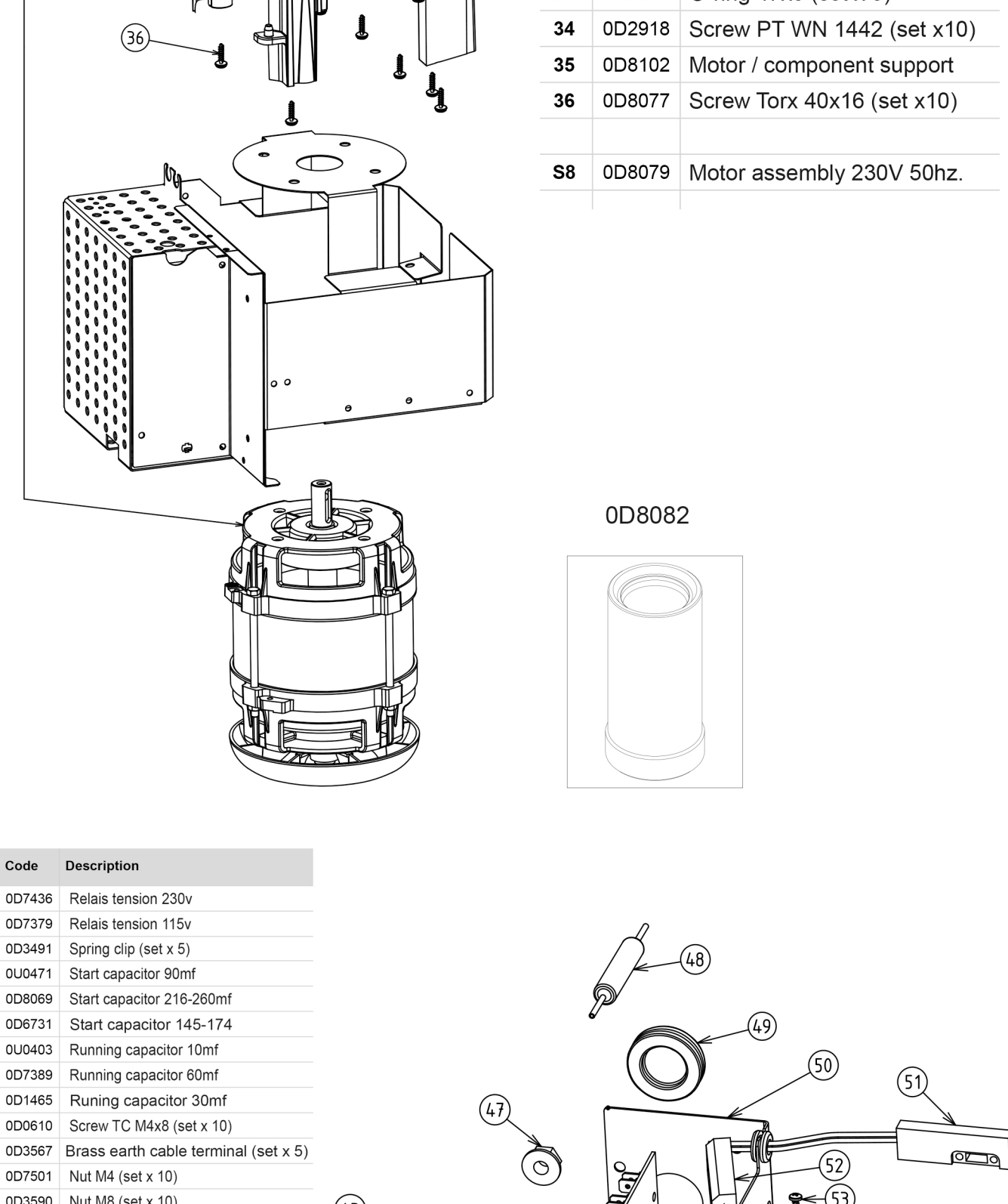
Pos.	Code	Description
4	0D8077	Screw torx 40x16 (set x10)
5	0KQ511	Screw TC M3x16 (set x10)
6	0KQ305	Micro switch
7	0D7383	Nut M3 (set x 10)
8	0D8101	O-ring (set x10)
9	0D8098	Variable speed label Dito Sama
10	0D8100	Variable speed label Electrolux
11	0D8065	Variable speed control board
12	0D8245	Spacer M3x6 (set x 10)
13	0D8244	Control card support
14	0D5308	Screw TC M3x12 (set x 10)

S2	0D8057	Safety push assembly
S3	0D8058	Micro switch support assembly
S5	0D8103	Body vv Electrolux assembly
S5	0D8107	Body vv Dito Sama assembly



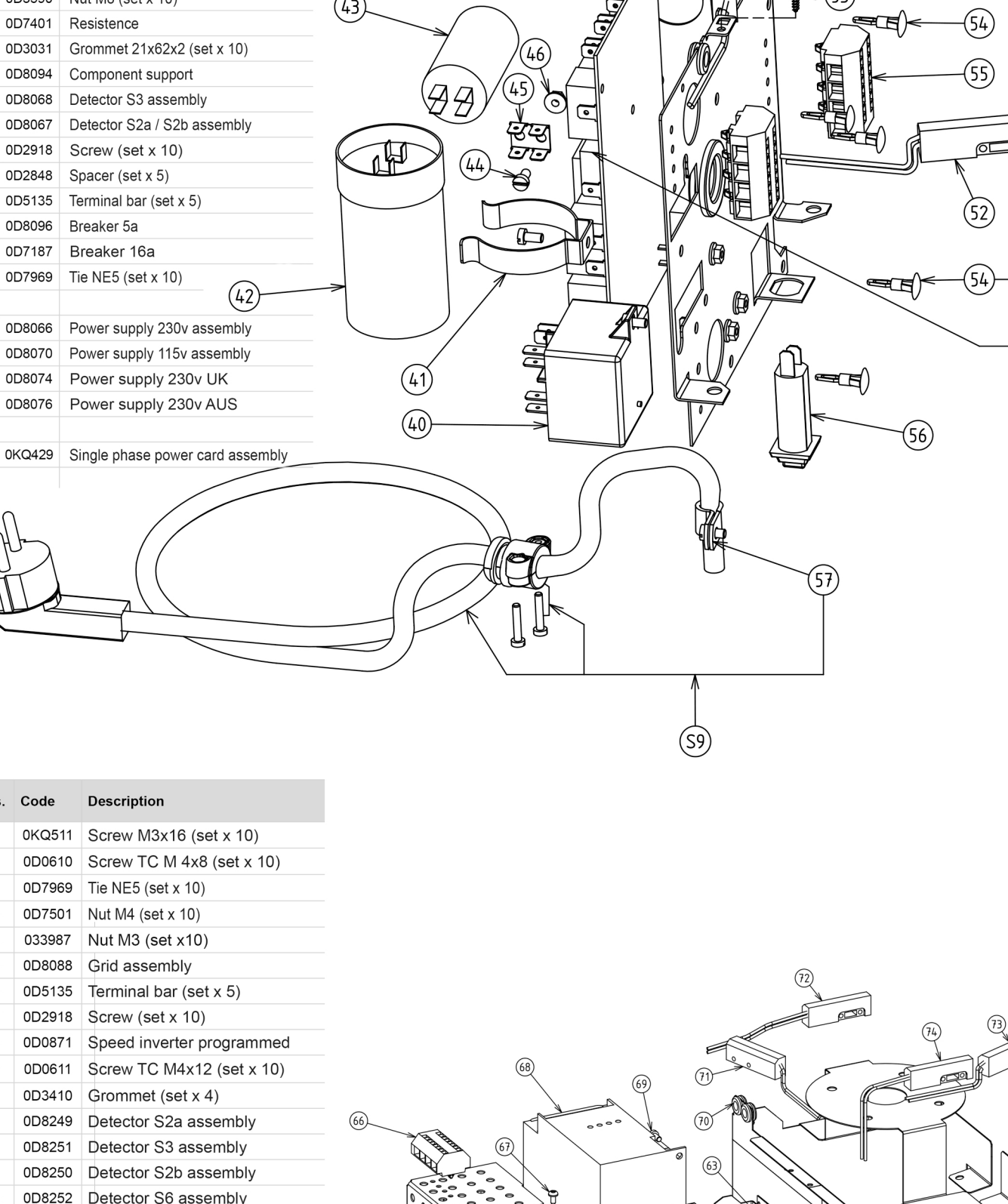
Pos.	Code	Description
20	0D8243	Main switch on/off assembly
21	0D3565	Pad assembly (set x 4)
22	0D0936	Screw PT (set x10)

S6	0D8056	Base Electrolux assembly
S6	0D8063	Base Dito Sama assembly



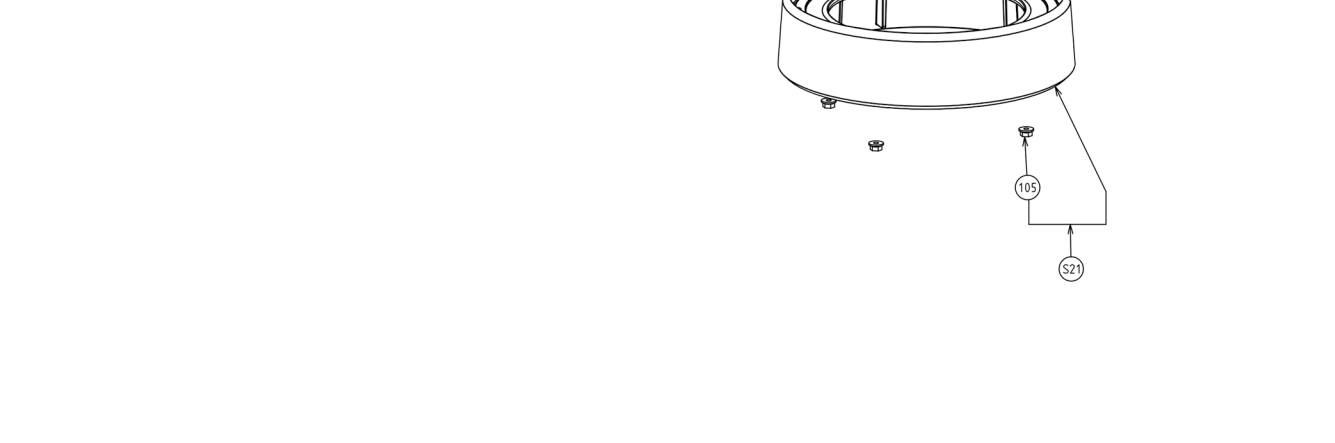
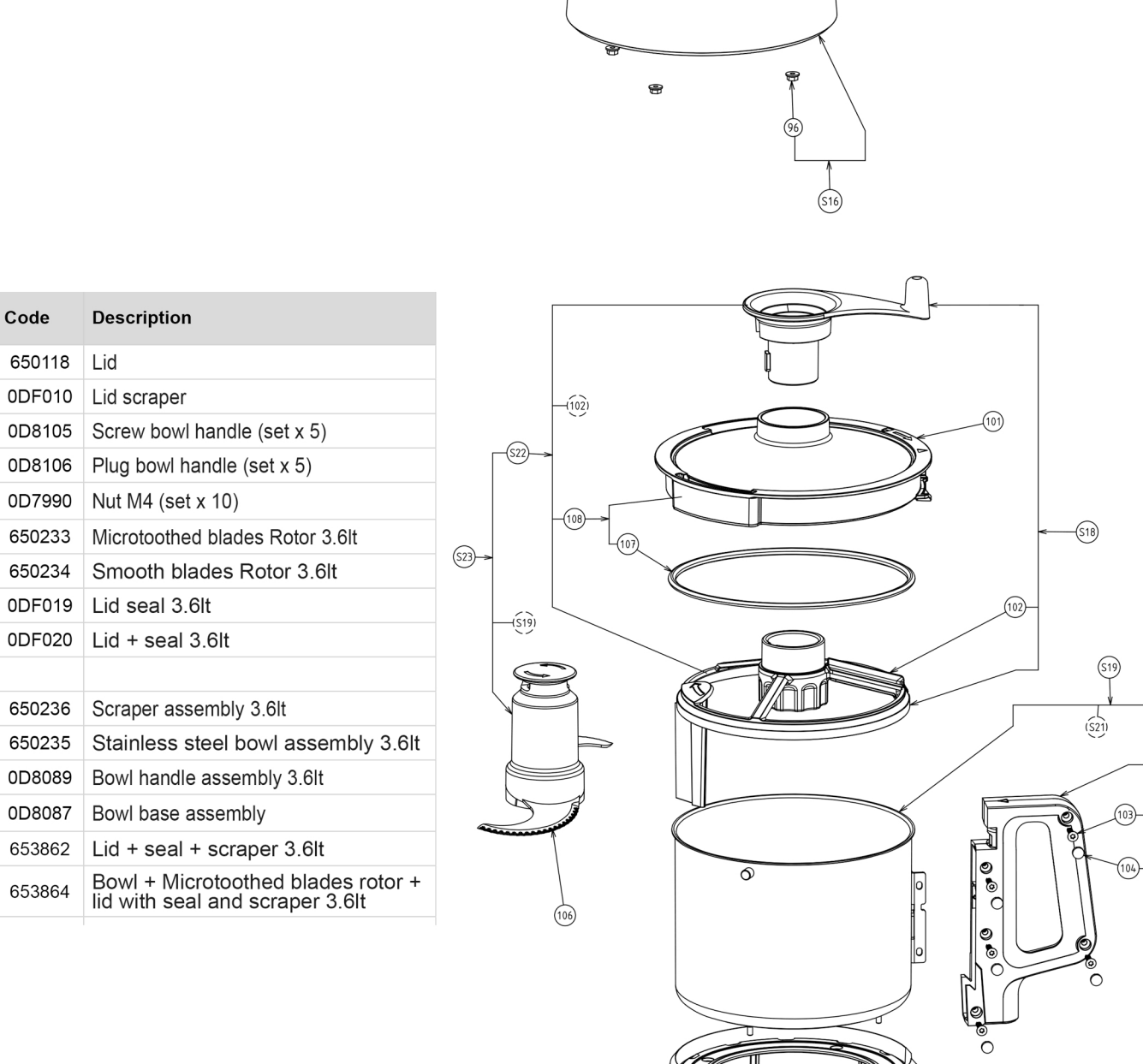
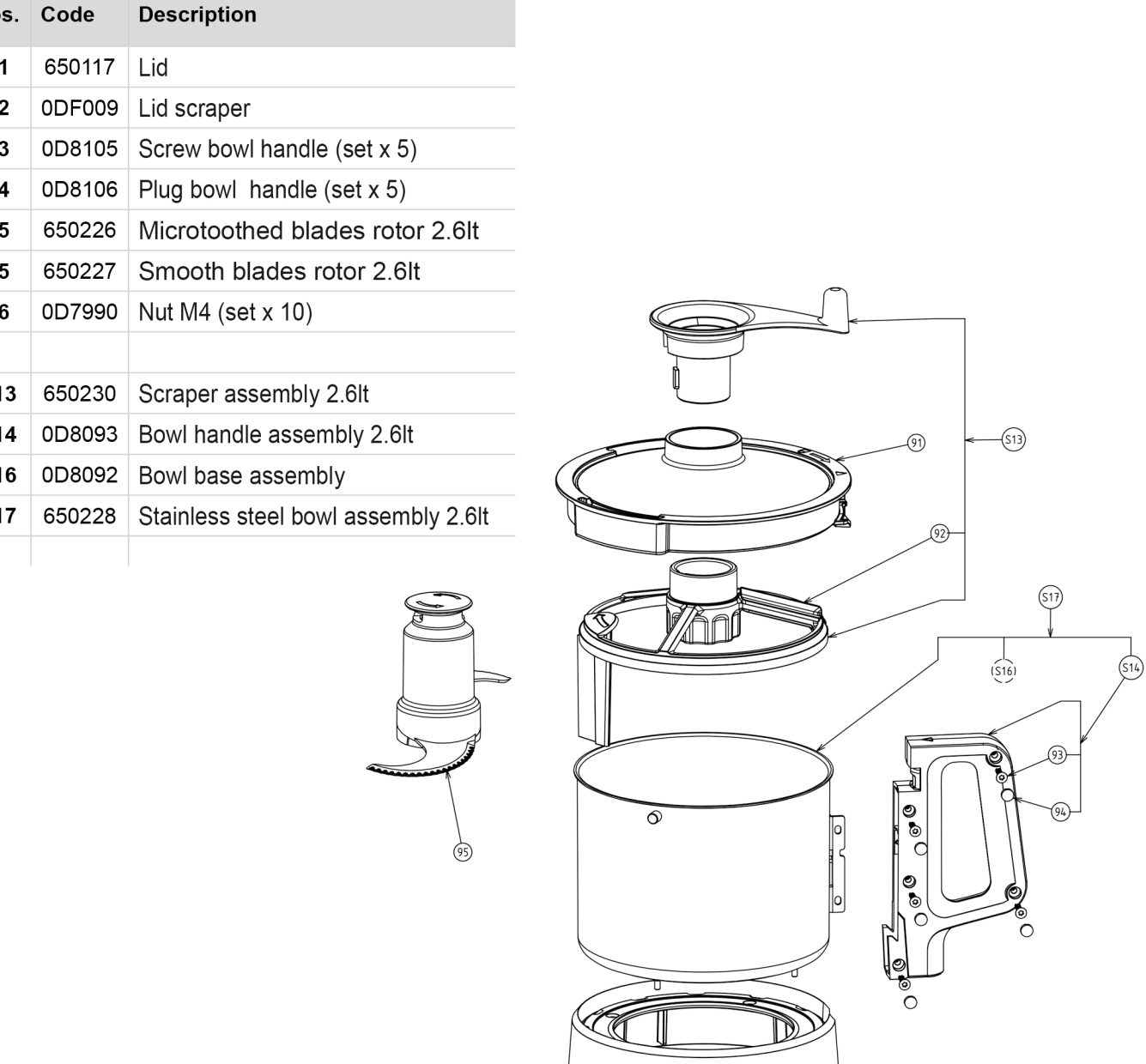
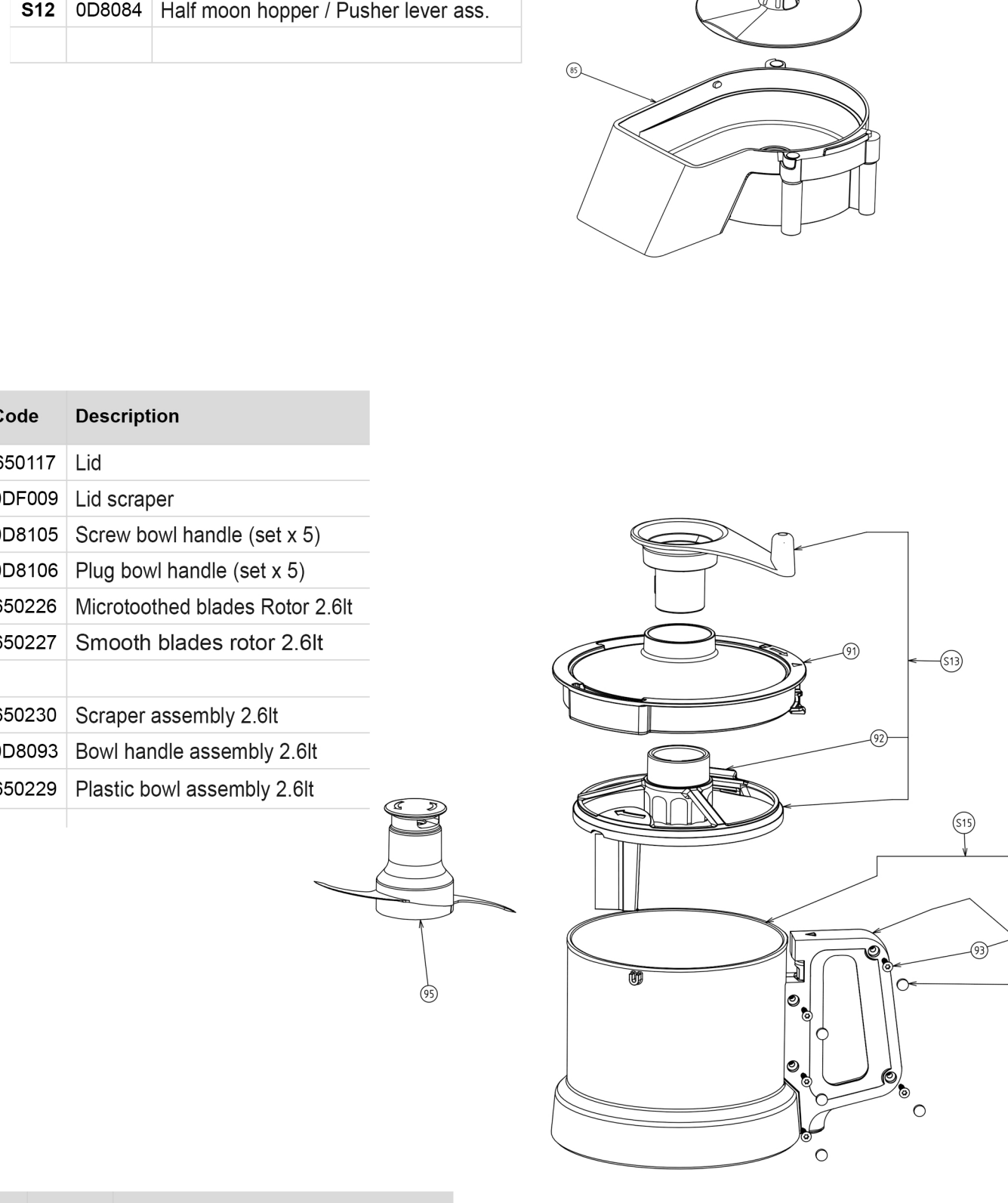
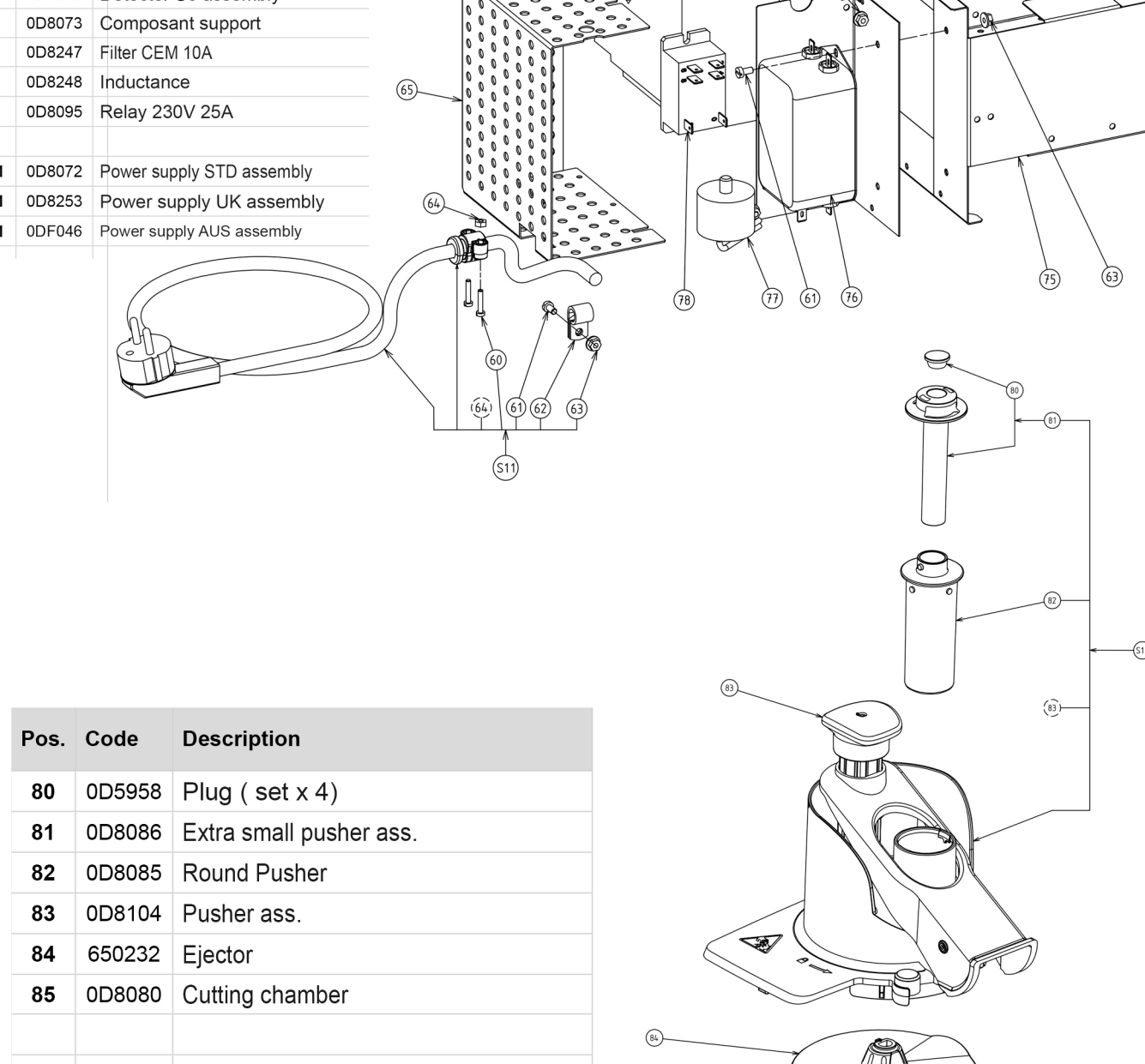
Pos.	Code	Description
30	0D5419	Deflector
31	0D6786	Screw M6x12 (set x 10)
32	0D5534	Lip seal 28x40x7 (set x 5)
33	0D3578	O-ring 47x3 (set x 5)
34	0D2918	Screw PT WN 1442 (set x10)
35	0D8102	Motor / component support
36	0D8077	Screw Torx 40x16 (set x 10)

S7	0D8075	Motor assembly 220-240v 50hz
S7	0D8078	Motor assembly 115v 60hz 1000w
S7	0D8128	Motor assembly 115v 60hz 750w



Pos.	Code	Description
30	0D5419	Deflector
31	0D6786	Screw M6x12 (set x 10)
32	0D5534	Lip seal 28x40x7 (set x 5)
33	0D3578	O-ring 47x3 (set x 5)
34	0D2918	Screw PT WN 1442 (set x10)
35	0D8102	Motor / component support
36	0D8077	Screw Torx 40x16 (set x10)

S8	0D8079	Motor assembly 230v 50hz.
----	--------	---------------------------



Pos.	Code	Description
40	0D7436	Relais tension 230v
40	0D7379	Relais tension 115v
41	0D0471	Spring clip (set x 5)
42	0D0491	Start capacitor 90mf
42	0D8069	Start capacitor 216-280mf
42	0D6731	Start capacitor 145-174
43	0U0403	Running capacitor 10mf
43	0D7389	Running capacitor 60mf
43	0D1465	Running capacitor 30mf
44	0D0610	Screw TC M4x8 (set x 10)
45	0D3567	Brass earth cable terminal (set x 5)
46	0D3569	Nut 1/4" (set x 10)
47	0D3590	Nut 1/8" (set x 10)
48	0D7401	Resistance
49	0D3031	Grommet 21x62x2 (set x 10)
50	0D8094	Component support
51	0D8068	Detector S3 assembly
52	0D8067	Detector S2a / S2b assembly
53	0D8105	Screw (set x 10)
54	0D2848	Spacer (set x 5)
55	0D5135	Terminal bar (set x 5)
56	0D8096	Breaker 5a
56	0D7187	Breaker 16a
57	0D7969	Tie NE5 (set x 10)
59	0D8066	Power supply 230v assembly
59	0D8070	Power supply 115v assembly
59	0D8074	Power supply 230v UK
59	0D8078	Power supply 230v AUS
S10	0KQ429	Single phase power card assembly

Pos.	Code	Description
60	0KQ511	Screw M3x16 (set x 10)
61	0D0610	Screw TC M 4x8 (set x 10)
62	0D7969	Tie NE5 (set x 10)
63	0D7501	Nut M4 (set x 10)
64	0D3987	Nut M3 (set x10)
65	0D8088	Grid assembly
66	0D5135	Terminal bar (set x 5)
67	0D2918	Screw (set x 10)
68	0D0871	Screw Torx M4x12 (set x 10)
69	0D0611	Screw TC M4x12 (set x 10)
70	0D3410	Grommet (set x 4)
71	0D8249	Detector S2a assembly
72	0D8251	Detector S3 assembly
73	0D8250	Detector S3 assembly
74	0D8252	Detector S6 assembly
75	0D8073	Component support
76	0D8247	Filter CEM 10A
77	0D8248	Inductance
78	0D8095	Relay 230V 25A
S11	0D8072	Power supply STD assembly
S11	0D8253	Power supply UK assembly
S11	0DF046	Power supply AUS assembly

Pos.	Code	Description
80	0D5958	Plug (set x 4)
81	0D8086	Extra small pusher ass.
82	0D8085	Round Pusher
83	0D8106	Pusher ass.
84	650232	Ejection lever
85	0D8080	Cutting chamber
S12	0D8084	Half moon hopper / Pusher lever ass.

Pos.	Code	Description
91	650117	Lid
92	0DF009	Lid scraper
93	0D8105	Screw bowl handle (set x 5)
94	0D8106	Plug bowl handle (set x 5)
95	650226	Microtoothed blades Rotor 2.6lit
95	650227	Smooth blades rotor 2.6lit
S13	650230	Scraper assembly 2.6lit
S14	0D8093	Bowl handle assembly 2.6lit
S15	650229	Plastic bowl assembly 2.6lit

Pos.	Code	Description
91	650117	Lid
92	0DF009	Lid scraper
93	0D8105	Screw bowl handle (set x 5)
94	0D8106	Plug bowl handle (set x 5)
95	650226	Microtoothed blades rotor 2.6lit
95	650227	Smooth blades rotor 2.6lit
96	0D7990	Nut M4 (set x 10)
S13	650230	Scraper assembly 2.6lit
S14	0D8093	Bowl handle assembly 2.6lit
S16	0D8092	Bowl base assembly
S17	650228	Stainless steel bowl assembly 2.6lit

Pos.	Code	Description
101	650118	Lid
102	0DF010	Lid scraper
103	0D8105	Screw bowl handle (set x 5)
104	0D8106	Plug bowl handle (set x 5)
105	0D7990	Nut M4 (set x 10)
106	650233	Microtoothed blades Rotor 3.6lit
106	650234	Smooth blades Rotor 3.6lit
107	0DF019	Lid seal 3.6lit
108	0DF020	Lid + seal 3.6lit
S18	650236	Scraper assembly 3.6lit
S19	650235	Stainless steel bowl assembly 3.6lit
S20	0D8089	Bowl handle assembly 3.6lit
S21	0D8087	Bowl base assembly
S22	653862	Lid + seal + scraper 3.6lit
S23	653864	Bowl + Microtoothed blades rotor + lid with seal and scraper 3.6lit