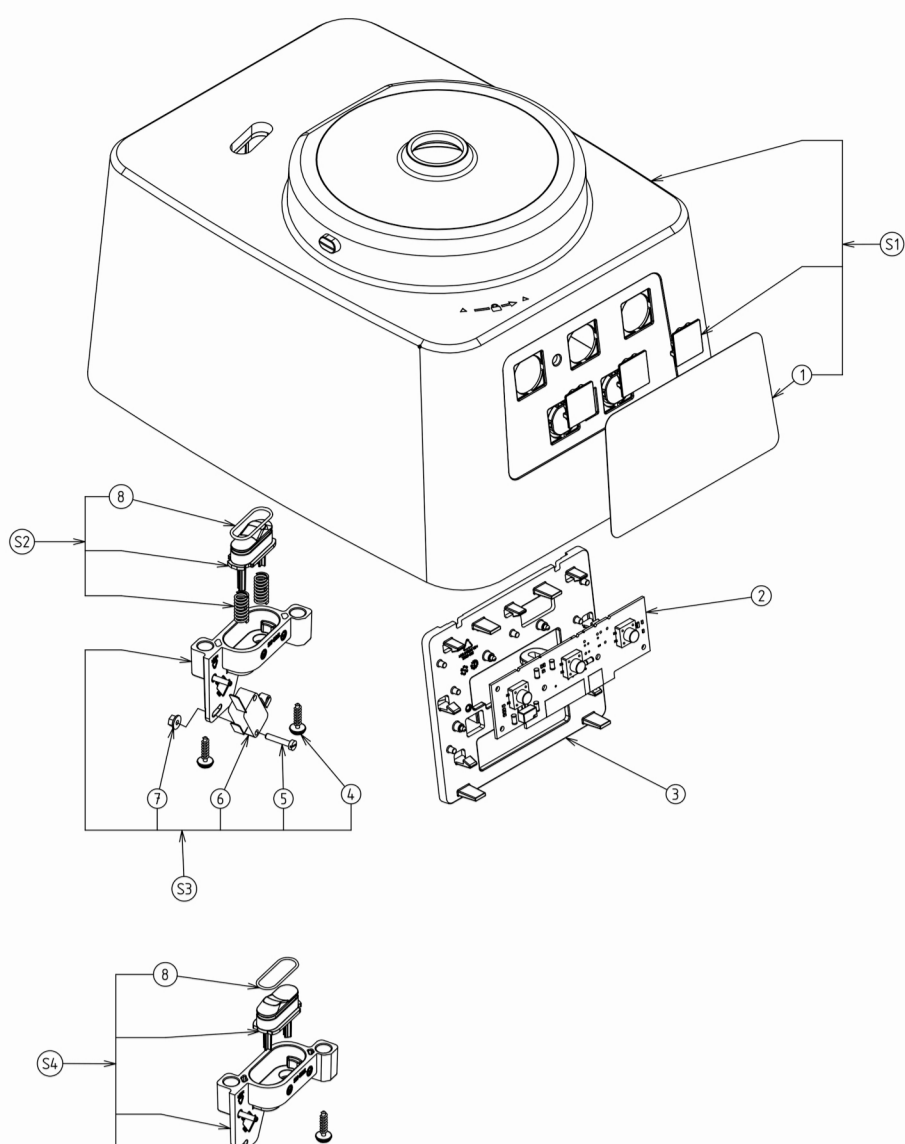


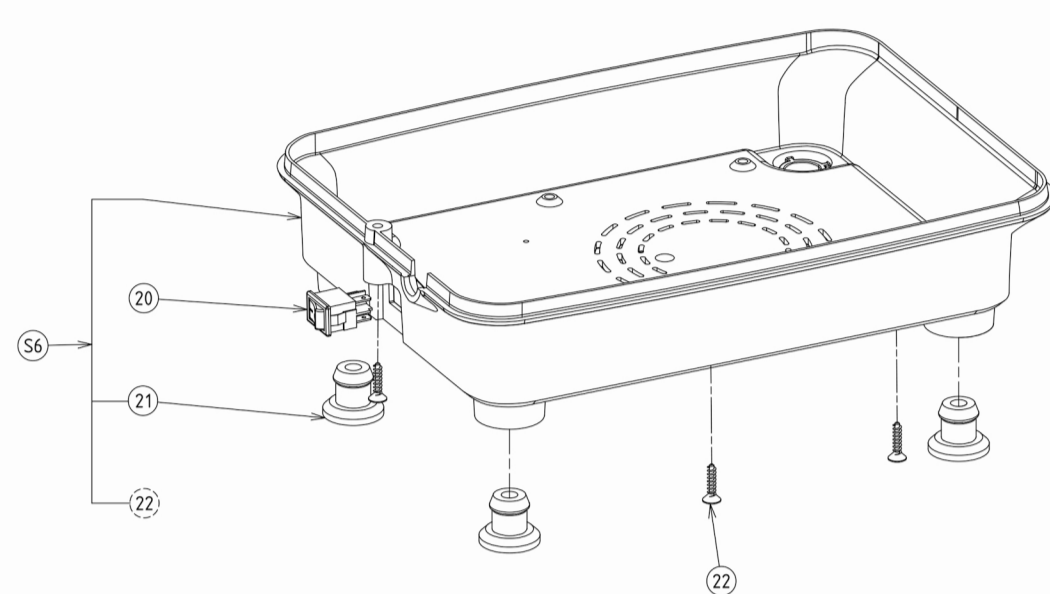
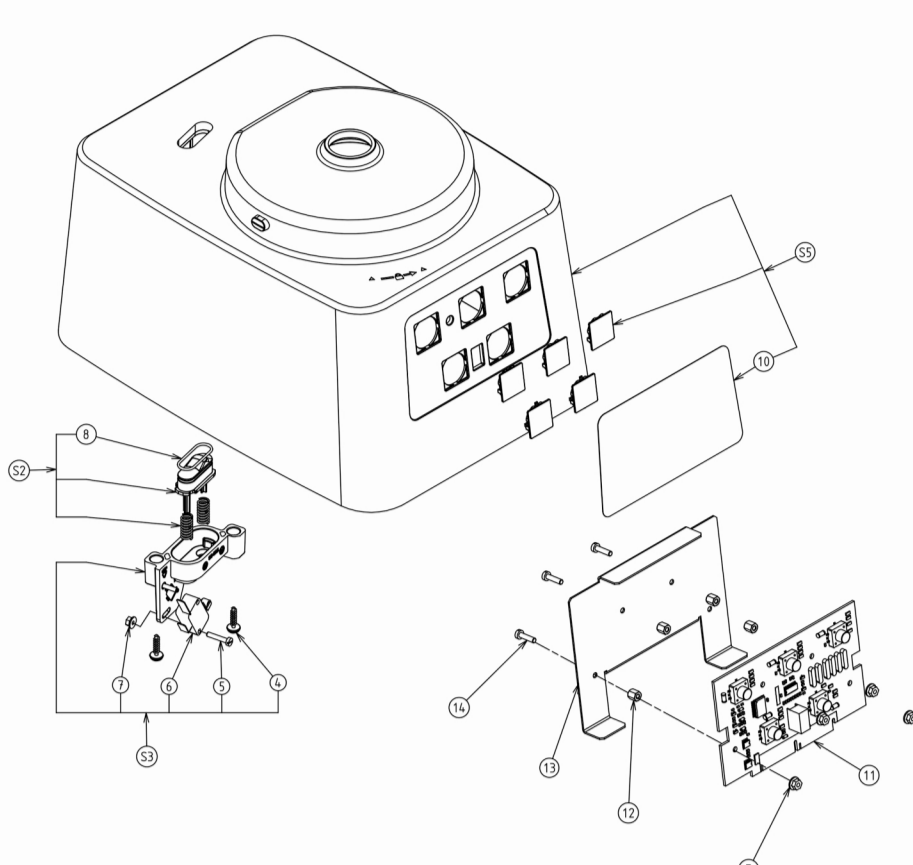
# Pièces détachées Coupe-légumes 600971

## DITO SAMA



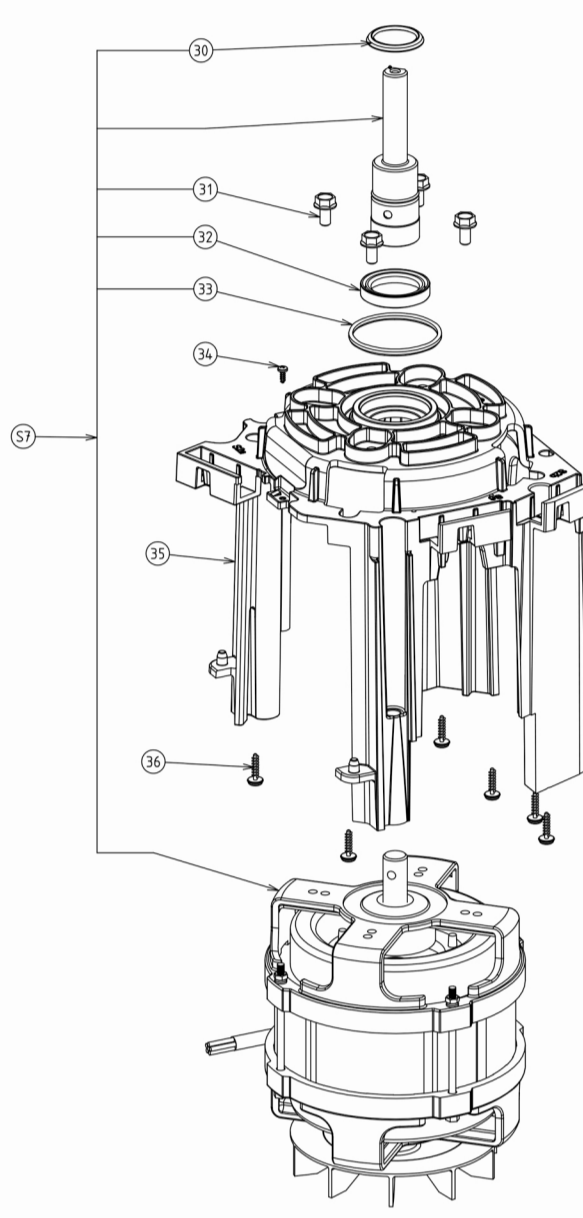
| Pos. | Code   | Description                         |
|------|--------|-------------------------------------|
| 1    | 0D8097 | 1 speed label Dito Sama             |
| 1    | 0D8099 | 1 speed label Electrolux            |
| 2    | 0D8060 | 1 speed control board               |
| 3    | 0D8059 | Control card support                |
| 4    | 0D8077 | Screw torx 40x16 (set x10)          |
| 5    | 0KQ511 | Screw TC M3x16 (set x10)            |
| 6    | 0KQ305 | Micro switch                        |
| 7    | 0D7383 | Nut M3 (set x 10)                   |
| 8    | 0D8101 | O-ring 21x1.5 (set x10)             |
| S1   | 0D8061 | Body 1v Electrolux assembly         |
| S1   | 0D8062 | Body 1v Dito Sama assembly          |
| S1   | 0D8246 | Body 1v Elux Rai 7016 assembly      |
| S2   | 0D8057 | Safety push assembly                |
| S3   | 0D8058 | Micro switch support assembly       |
| S4   | 0D8064 | Safety push ass.without microswitch |

| Pos. | Code   | Description                     |
|------|--------|---------------------------------|
| 4    | 0D8077 | Screw torx 40x16 (set x10)      |
| 5    | 0KQ511 | Screw TC M3x16 (set x10)        |
| 6    | 0KQ305 | Micro switch                    |
| 7    | 0D7383 | Nut M3 (set x 10)               |
| 8    | 0D8101 | O-ring (set x10)                |
| 10   | 0D8098 | Variable speed label Dito Sama  |
| 10   | 0D8100 | Variable speed label Electrolux |
| 11   | 0D8065 | Variable speed control board    |
| 12   | 0D8245 | Spacer M3x6 (set x 10)          |
| 13   | 0D8244 | Control card support            |
| 14   | 0D5308 | Screw TC M3x12 (set x 10)       |
| S2   | 0D8057 | Safety push assembly            |
| S3   | 0D8058 | Micro switch support assembly   |
| S5   | 0D8103 | Body vv Electrolux assembly     |
| S5   | 0D8107 | Body vv Dito Sama assembly      |

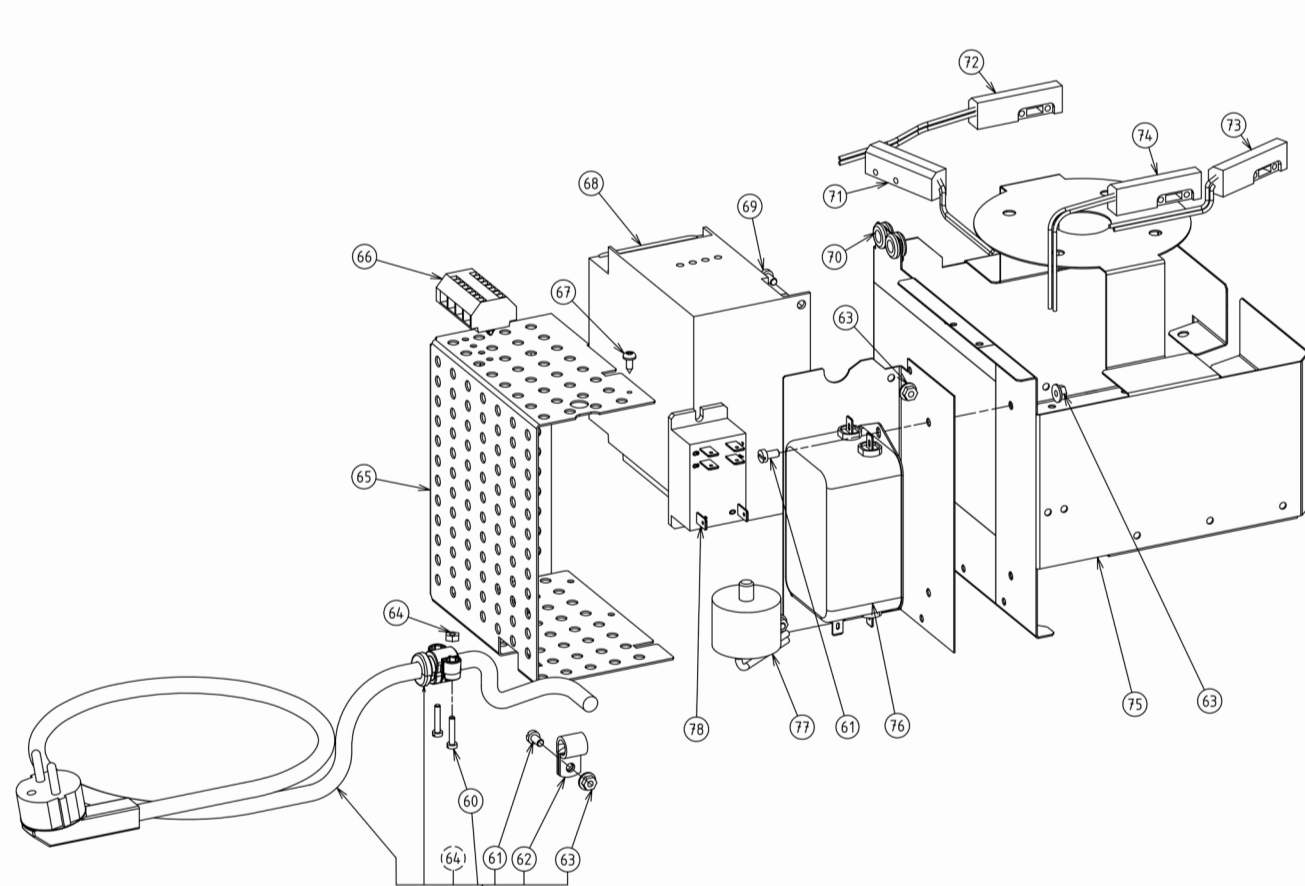
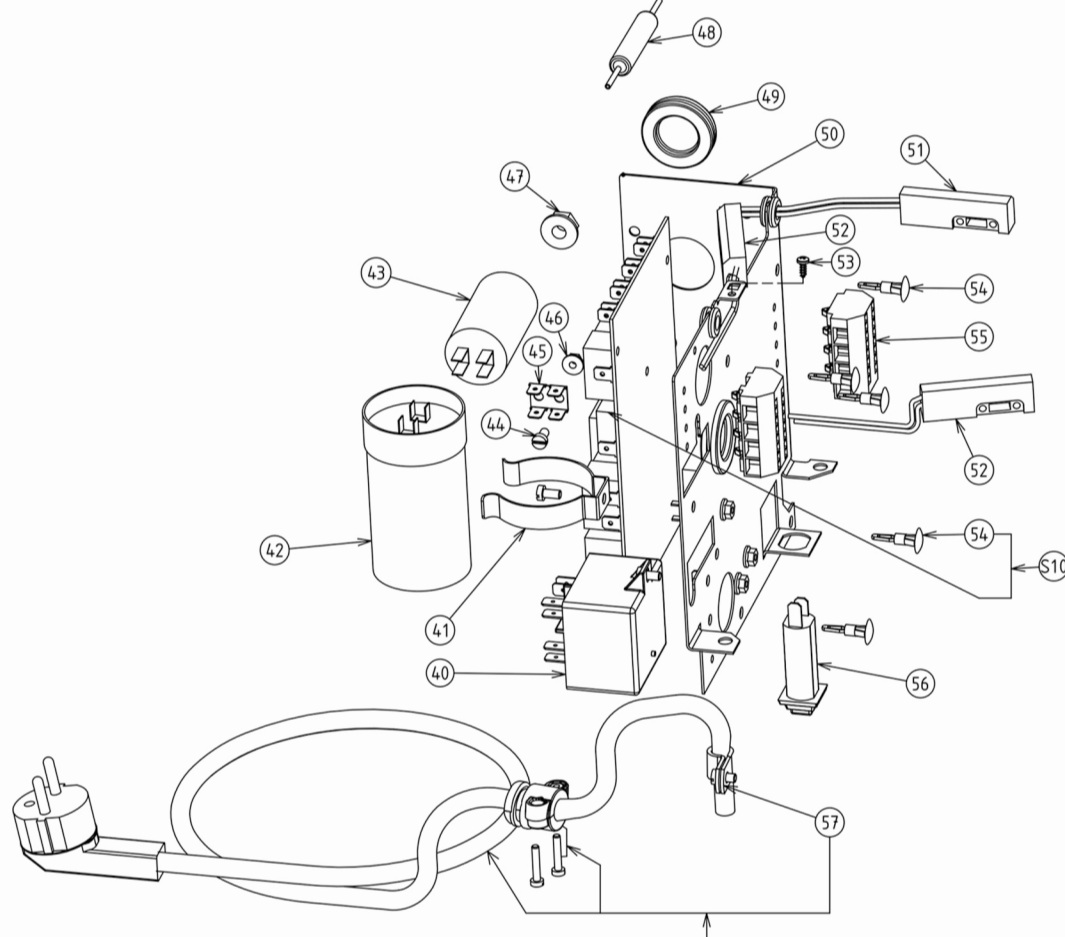


| Pos. | Code   | Description                 |
|------|--------|-----------------------------|
| 20   | 0D8243 | Main switch on/off assembly |
| 21   | 0D3565 | Pad assembly (set x 4)      |
| 22   | 0D0936 | Screw PT ( set x10)         |
| S6   | 0D8056 | Base Electrolux assembly    |
| S6   | 0D8063 | Base Dito Sama assembly     |

| Pos. | Code   | Description                    |
|------|--------|--------------------------------|
| 30   | 0D5419 | Deflector                      |
| 31   | 0D6786 | Screw M6x12 (set x 10)         |
| 32   | 0D5534 | Lip seal 28x40x7 (set x 5)     |
| 33   | 0D3578 | O-ring 47x3 (set x 5)          |
| 34   | 0D2918 | Screw PT WN 1442 (set x10)     |
| 35   | 0D8102 | Motor / component support      |
| 36   | 0D8077 | Screw Torx 40x16 (set x 10)    |
| S7   | 0D8075 | Motor assembly 220-240v 50hz   |
| S7   | 0D8078 | Motor assembly 115v 60hz 1000w |
| S7   | 0D8128 | Motor assembly 115v 60hz 750w  |

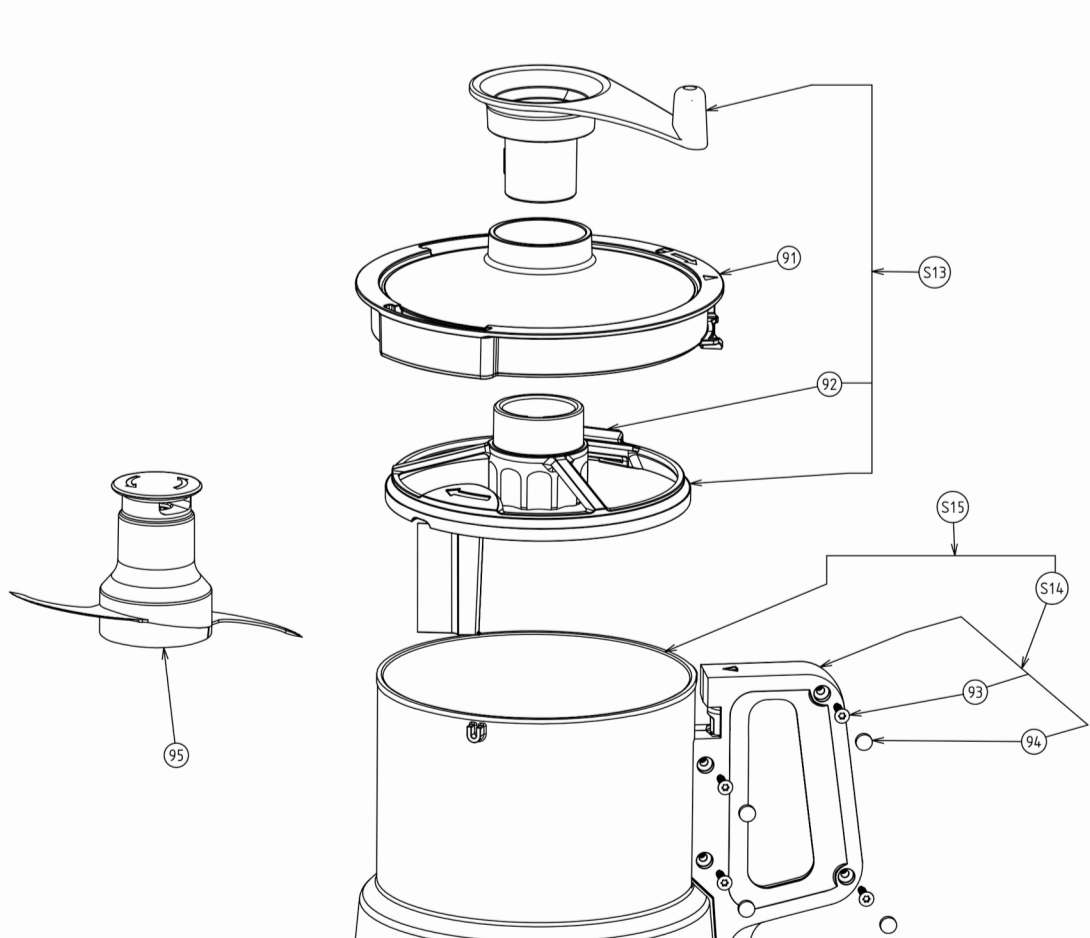
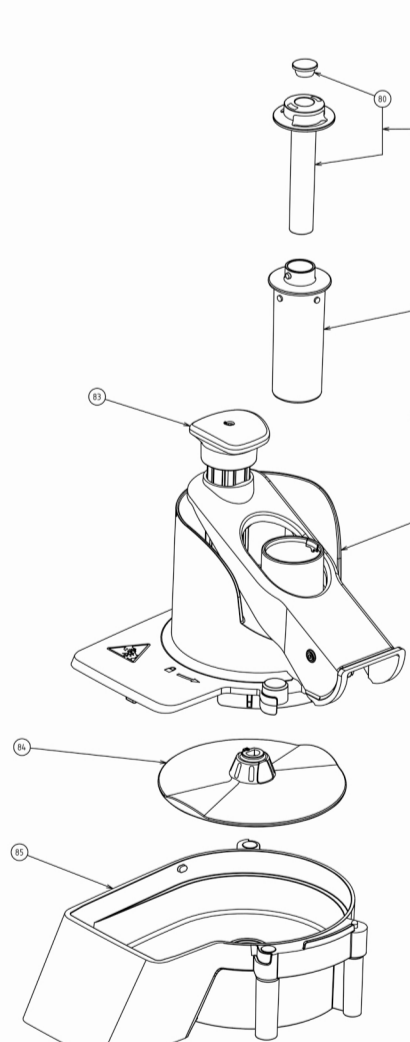


| Pos. | Code   | Description                          |
|------|--------|--------------------------------------|
| 40   | 0D7436 | Relais tension 230v                  |
| 40   | 0D7379 | Relais tension 115v                  |
| 41   | 0D3491 | Spring clip (set x 5)                |
| 42   | 0U0471 | Start capacitor 90mf                 |
| 42   | 0D8069 | Start capacitor 216-260mf            |
| 42   | 0D6731 | Start capacitor 145-174              |
| 43   | 0U0403 | Running capacitor 10mf               |
| 43   | 0D7389 | Running capacitor 60mf               |
| 43   | 0D1465 | Running capacitor 30mf               |
| 44   | 0D0610 | Screw TC M4x8 (set x 10)             |
| 45   | 0D3567 | Brass earth cable terminal (set x 5) |
| 46   | 0D7501 | Nut M4 (set x 10)                    |
| 47   | 0D3590 | Nut M8 (set x 10)                    |
| 48   | 0D7401 | Resistance                           |
| 49   | 0D3031 | Grommet 21x62x2 (set x 10)           |
| 50   | 0D8094 | Component support                    |
| 51   | 0D8068 | Detector S3 assembly                 |
| 52   | 0D8067 | Detector S2a / S2b assembly          |
| 53   | 0D2918 | Screw (set x 10)                     |
| 54   | 0D2848 | Spacer (set x 5)                     |
| 55   | 0D5135 | Terminal bar (set x 5)               |
| 56   | 0D8096 | Breaker 5a                           |
| 56   | 0D7187 | Breaker 16a                          |
| 57   | 0D7969 | Tie NE5 (set x 10)                   |
| S9   | 0D8066 | Power supply 230v assembly           |
| S9   | 0D8070 | Power supply 115v assembly           |
| S9   | 0D8074 | Power supply 230v UK                 |
| S9   | 0D8076 | Power supply 230v AUS                |
| S10  | 0KQ429 | Single phase power card assembly     |



| Pos. | Code   | Description               |
|------|--------|---------------------------|
| 60   | 0KQ511 | Screw M3x16 (set x 10)    |
| 61   | 0D0610 | Screw TC M 4x8 (set x 10) |
| 62   | 0D7969 | Tie NE5 (set x 10)        |
| 63   | 0D7501 | Nut M4 (set x 10)         |
| 64   | 033987 | Nut M3 (set x10)          |
| 65   | 0D8088 | Grid assembly             |
| 66   | 0D5135 | Terminal bar (set x 5)    |
| 67   | 0D2918 | Screw (set x 10)          |
| 68   | 0D0871 | Speed inverter programmed |
| 69   | 0D0611 | Screw TC M4x12 (set x 10) |
| 70   | 0D3410 | Grommet (set x 4)         |
| 71   | 0D8249 | Detector S2a assembly     |
| 72   | 0D8251 | Nut M4 (set x 10)         |
| 73   | 0D8250 | Detector S2b assembly     |
| 74   | 0D8252 | Detector S6 assembly      |
| 75   | 0D8073 | Component support         |
| 76   | 0D8247 | Filter CEM 10A            |
| 77   | 0D8248 | Inductance                |
| 78   | 0D8095 | Relay 230V 25A            |
| S11  | 0D8072 | Power supply STD assembly |
| S11  | 0D8253 | Power supply UK assembly  |
| S11  | 0DF046 | Power supply AUS assembly |

| Pos. | Code   | Description                          |
|------|--------|--------------------------------------|
| 80   | 0D5958 | Plug ( set x 4)                      |
| 81   | 0D8086 | Extra small pusher ass.              |
| 82   | 0D8085 | Round Pusher                         |
| 83   | 0D8104 | Pusher ass.                          |
| 84   | 650232 | Ejector                              |
| 85   | 0D8080 | Cutting chamber                      |
| S12  | 0D8084 | Half moon hopper / Pusher lever ass. |



| Pos. | Code   | Description                      |
|------|--------|----------------------------------|
| 91   | 650117 | Lid                              |
| 92   | 0DF009 | Lid scraper                      |
| 93   | 0D8105 | Screw bowl handle (set x 5)      |
| 94   | 0D8106 | Plug bowl handle (set x 5)       |
| 95   | 650226 | Microtoothed blades Rotor 2.6lit |
| 95   | 650227 | Smooth blades rotor 2.6lit       |
| S13  | 650230 | Scraper assembly 2.6lit          |
| S14  | 0D8093 | Bowl handle assembly 2.6lit      |
| S15  | 650229 | Plastic bowl assembly 2.6lit     |

| Pos. | Code   | Description                          |
|------|--------|--------------------------------------|
| 91   | 650117 | Lid                                  |
| 92   | 0DF009 | Lid scraper                          |
| 93   | 0D8105 | Screw bowl handle (set x 5)          |
| 94   | 0D8106 | Plug bowl handle (set x 5)           |
| 95   | 650226 | Microtoothed blades Rotor 2.6lit     |
| 95   | 650227 | Smooth blades rotor 2.6lit           |
| 96   | 0D7990 | Nut M4 (set x 10)                    |
| S13  | 650230 | Scraper assembly 2.6lit              |
| S14  | 0D8093 | Bowl handle assembly 2.6lit          |
| S16  | 0D8092 | Bowl base assembly                   |
| S17  | 650228 | Stainless steel bowl assembly 2.6lit |

