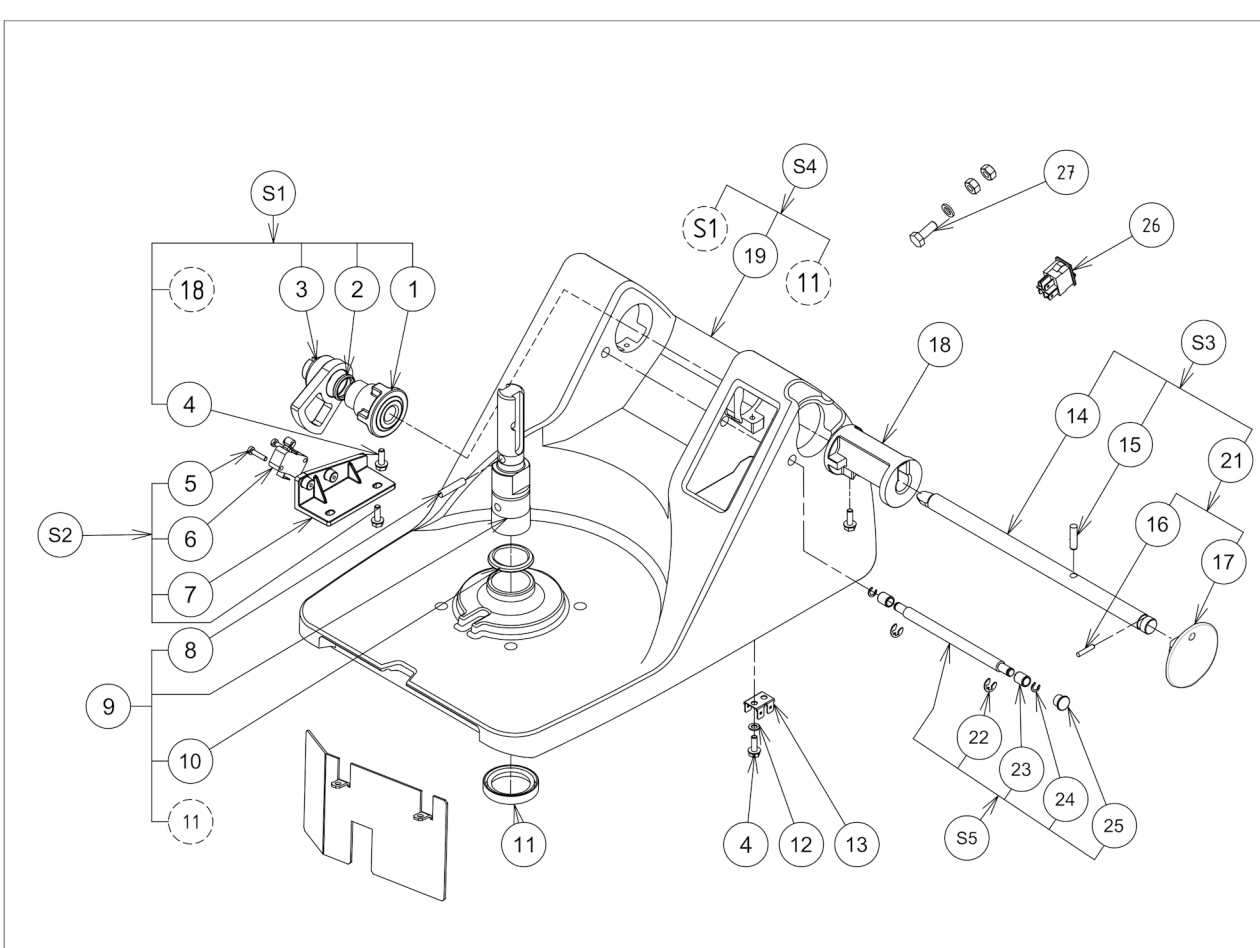


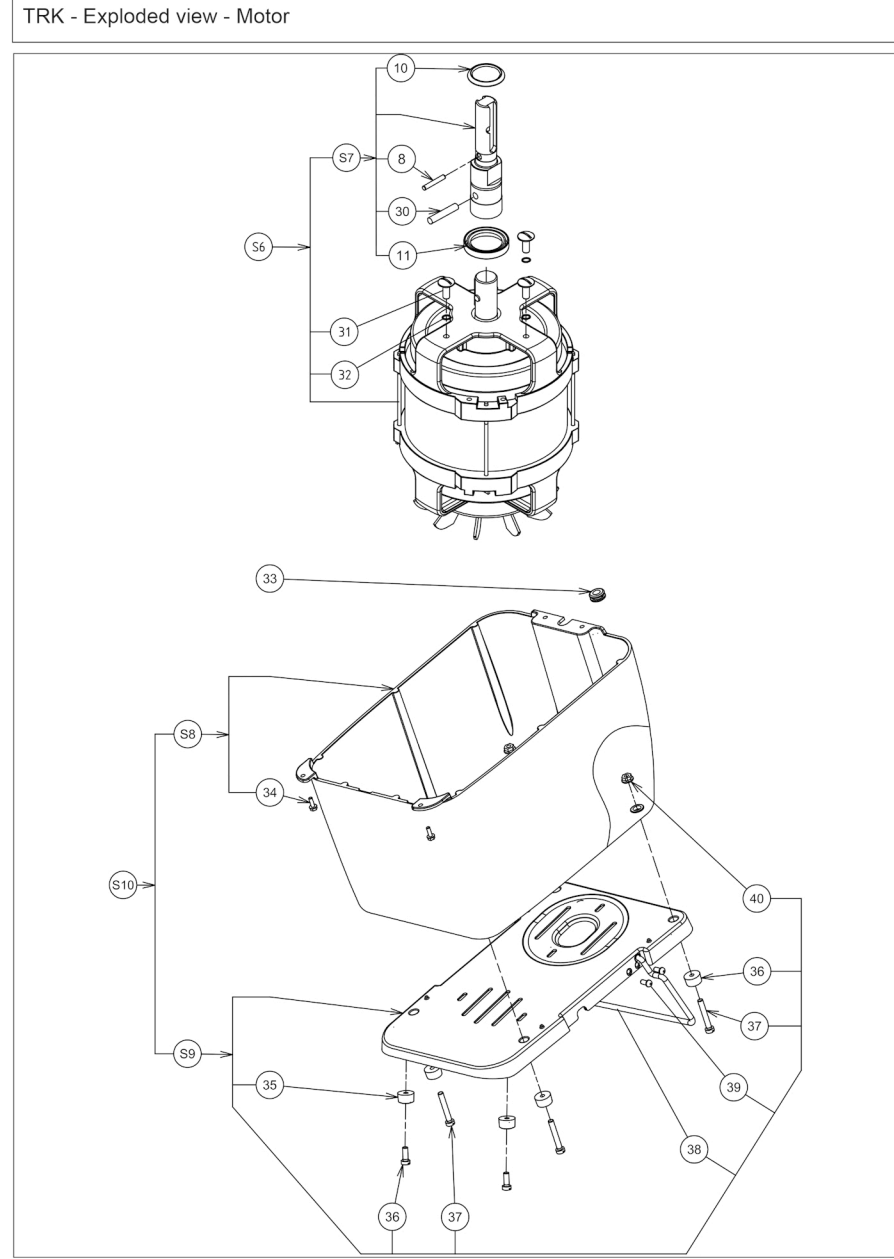
Pièces détachées Coupe-légumes 600418 DITO SAMA

Pos.	Code	Description	V	W&T	Ref.	Notes	S/N break
1	0D5412	Sleeve					
2	0D2862	15.5x42.62 O-ring (set x 10)		X			
3	0D5413	Cap					
4	0D5154	M4x12 screw (set x 10)					
5	0D5414	1412 K30/16 PTWN screw (set x 10)					
6	0D6820	Micro-switch with wafer	X				
7	0D5415	Micro-switch support					
8	0D7880	G06 5x25 pin (set x 10)					
9	0D5997	K19 shaft assembly					
10	0D5419	Deflector	X				
11	0D5998	28x40x7 lip seal (set x 5)	X				
12	0D5020	4 washer (set x 10)					
13	0D3567	Brass earth cable terminal (set x 5)					
14	0D5426	Spindle					
15	0D0396	G05 5x20 pin (set x 10)					
16	0D2479	G01 3x16 pin (set x 10)		X			
17	0D5427	Button					
18	0D5428	Guide					
19	0D5429	Body CE					
20	0D5429	Body CB					
21	0D7492	Button assembly	X				
22	0D7889	Cartrip SE (set x 10)					
23	0D7887	Bearing (set x 10)	X				
24	0D7888	Cartrip SE (set x 10)	X				
25	0D2189	Cap (set x 10)					
26	0D7991	Switch assembly CB	X				
27	0D7992	Hood switch CB	X				
28	0D0499	M6x16 screw (set x 10) CB					
29	0D0503	Nut HU M6 (set x 10) CB					
30	0D5430	Complete sleeve + gasket					
31	0D5431	Micro-switch support assembly					
32	0D5432	Spindle assembly	X				
33	0D5433	Body assembly CE					
34	0D5434	Body assembly CB					
35	0D7895	Assembly pin					

Doc No : 599J09500 Issued 2022-09 Ed. 02 2022 12 Page 5



TRK - Exploded view - Motor



Doc No : 599J09500 Issued 2022-09 Ed. 02 2022 12 Page 6

TRK - Parts list - Body

Pos.	Code	Description	V	W&T	Ref.	Notes	S/N break
8	0D7860	G06 5x25 pin (set x 10)					
10	0D5419	Deflector		X			
11	0K9998	28x40x7 lip seal (set x 5)		X			
30	0D0571	G02 6x24 pin (set x 10)					
31	0D1017	M6x16 TRL screw (set x 10)					
32	0D5144	O-ring (set x 5)		X			
S6	0D7942	Motor 200/240-50/60Hz-1Kw assembly	X		J		
S6	0D7943	Motor 200/240-50/60Hz-1.3Kw assembly	X		K		
S6	0D5847	Motor 200/240-50/60Hz-1.5Kw assembly	X		L		
S7	0D5997	Shaft assembly		X			
33	0D1014	Grommet 9.5x13x3 (set x 10)		X			
34	0D6754	screw M4x12 (set x 10)					
35	0D7136	Pad (set x 6)		X			
36	0D0615	TC screw M6x16 (set x 10)					
37	0D3039	TC screw M6x40 (set x 10)					
38	0D5549	Crutch					
39	0KQ999	Stop (set x 5)		X			
40	0D6782	Nut HU M6 (set x10)					
S8	0D5566	Right casing					
S9	0D7974	Complete reclining base					
S10	0D7975	Complete casing TRK					

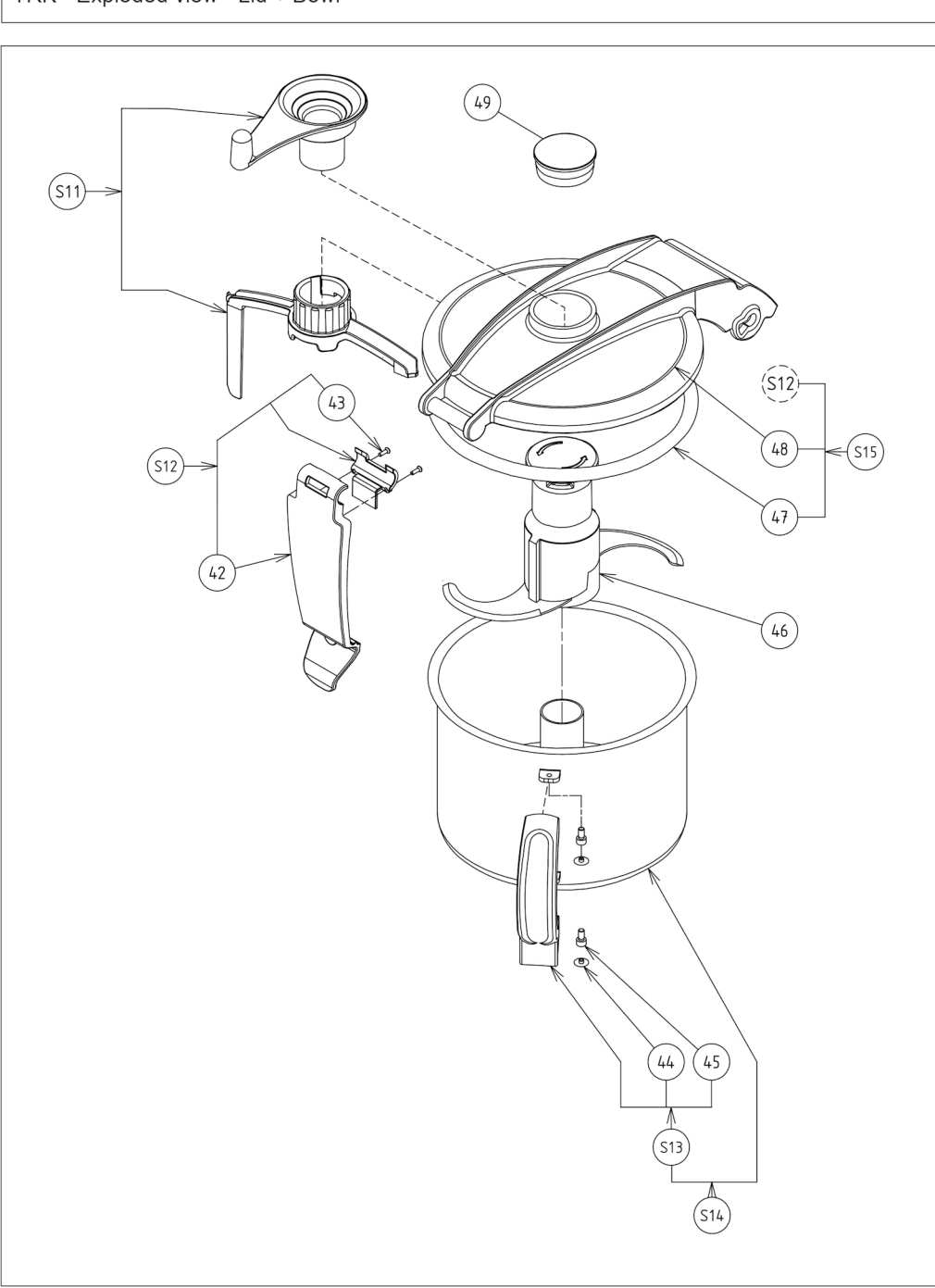
Doc No : 599J09500 Issued 2022-09 Ed. 02 2022 12 Page 7

TRK - Parts list - Lid + Bowl

Pos.	Code	Description	V	W&T	Ref.	Notes	S/N break
42	0D5439	Lid clamp handle		X			
43	0D7973	M3x10 F screw (set x 10)					
44	0D5442	6p concave screw cover (set x 10)					
45	0D2108	M5x10 TCHC screw (set x 15)					
46	653579	4.5-litres smooth rotor		X	J		
46	653580	4.5-litres micro-toothed rotor		X	J		
46	653581	5-litres smooth rotor		X	K		
46	653582	5-litres micro-toothed rotor		X	K		
46	653583	7-litres smooth rotor		X	L		
46	653584	7-litres micro-toothed rotor		X	L		
47	0D5490	Lid seal		X			
48	0D5491	4.5 / 5 -litres lid		X	J;K		
48	0D5492	7-litres lid		X	L		
49	0D1054	Plug (set x 4)		X			
S11	0D5493	K45 complete bowl lid scraper		X	J		
S11	0D5494	K55/K70 complete bowl lid scraper		X	K;L		
S12	0D7947	Lid clamp handle assembly		X			
S13	0D5496	Bowl handle assembly		X			
S14	653589	Complete 4.5-litres bowl		X	J		
S14	653590	Complete 5-litres bowl		X	K		
S14	653593	Complete 7-litres bowl		X	L		
S15	0D7983	Complete 4.5/5-litres lid		X	J;K		
S15	0D7984	Complete 7-litres lid		X	L		

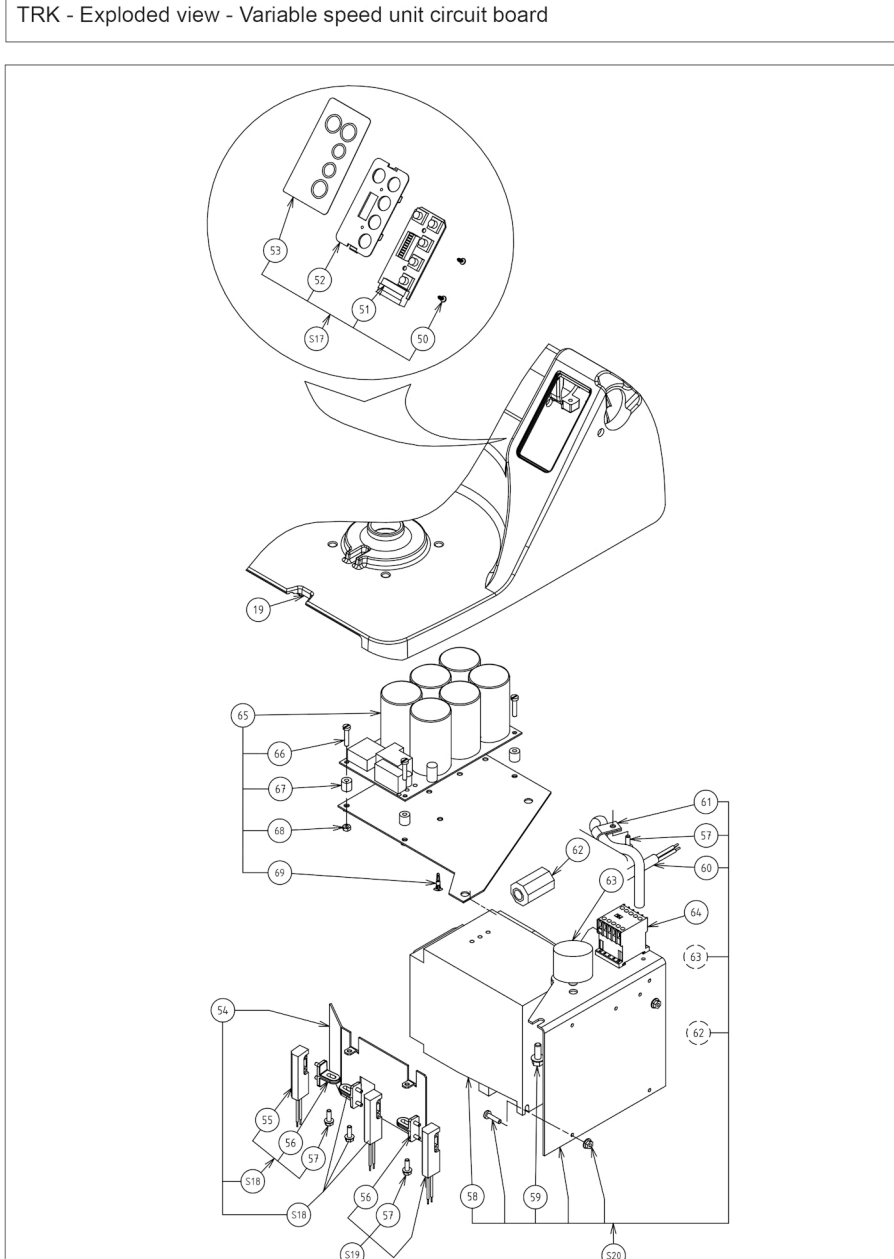
Doc No : 599J09500 Issued 2022-09 Ed. 02 2022 12 Page 9

TRK - Exploded view - Lid + Bowl



Doc No : 599J09500 Issued 2022-09 Ed. 02 2022 12 Page 8

TRK - Exploded view - Variable speed unit circuit board



Doc No : 599J09500 Issued 2022-09 Ed. 02 2022 12 Page 10

TRK - Parts list - Variable speed unit circuit board

Pos.	Code	Description	V	W&T	Ref.	Notes	S/N break
19	0D5429	Body CE					
19	0D5429	Body CB					
50	0D2918	1442 K30/8 PTWN screw (set x 10)					
51	0D5546	Power/On/Off +/- control board		X			
52	0D5515	Control card support					
53	0D7993	K45 Variable speed control panel plate		X	J		
53	0D7094	K55 Variable speed control panel plate		X	K		
53	0D7095	K70 Variable speed control panel plate		X	L		
54	0D6439	Complete PSA support					
55	0D6826	Proximity detector		X			
56	0D5517	Detector support					
57	0D6754	M4x12 screw (set x 10)					
58	0D7976	Variable speed unit		X			
59	0D6708	M6x16 Tapfit screw (set x 10)					
60	0D6135	Single phase power supply lead assembly		X			
60	0D7979	Single phase power supply UK		X	F		
60	0D8005	Single phase power supply UK SASO		X	G		
60	0D7995	Single phase power supply USA		X	E		
61	0D7969	Tie NE5 (set x 10)		X			
62	0D7949	Ferrite		X	I		
63	0D7948	Inductance		X	I		
64	0D7994	Contacteur 9A		X	I		
65	0D6884	Voltage doubler packed		X	E		up to 44/2022
65	0D6884	Voltage doubler packed		X	E		from 45/2022
66	0D6755	M4x20 screw (set x 10)					
67	0D6441	Spacer 4x10x10 (set x 10)					
68	0D6756	HU M4 nut (set x 10)					
69	0D2848	Printed circuit fixing spacer (set x 6)					
S17	0D5580	Complete K45 Variable speed control card		X	J		
S17	0D5581	Complete K55 Variable speed control card		X	K		
S17	0D5582	Complete K70 Variable speed control card		X	L		
S17	0D6593	Complete K45 Variable speed control card USA		X	E;J		
S17	0D6594	Complete K55 Variable speed control card USA		X	E;K		
S17	0D6595	Complete K70 Variable speed control card USA		X	E;L		

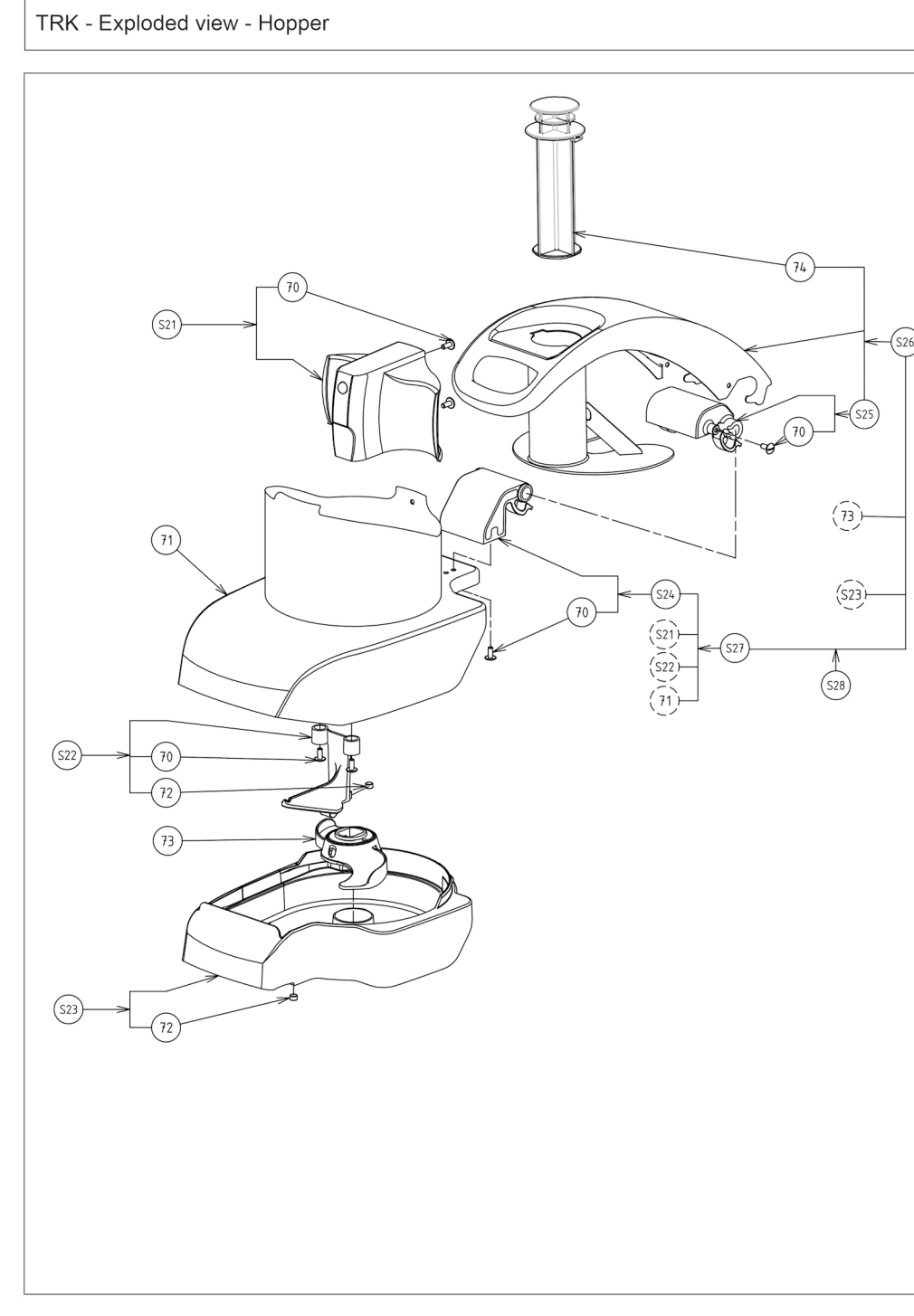
Doc No : 599J09500 Issued 2022-09 Ed. 02 2022 12 Page 11

TRK - Parts list - Hopper

Pos.	Code	Description	V	W&T	Ref.	Notes	S/N break
70	0U0666	M5x12 TRL screw (set x 10)					
71	0D6737	U TR standard hopper		X			
72	0D5334	8 x 5 NEODYMIUM magnet		X			
73	0D5554	Standard ejector		X			
74	0D7972	Pusher		X			
S21	0D5560	Shoe assembly		X			
S22	0D5561	Locking handle assembly		X			
S23	0D8020	Cutting chamber assembly		X			
S24	0D7933	Hopper hinge assembly		X			
S25	0D7935	Ram hinge assembly		X			
S26	0D8002	Ram assembly		X			
S27	0D7934	Hopper assembly		X			
S28	0D8003	Complete hopper		X			

Doc No : 599J09500 Issued 2022-09 Ed. 02 2022 12 Page 15

TRK - Exploded view - Hopper



Doc No : 599J09500 Issued 2022-09 Ed. 02 2022 12 Page 14